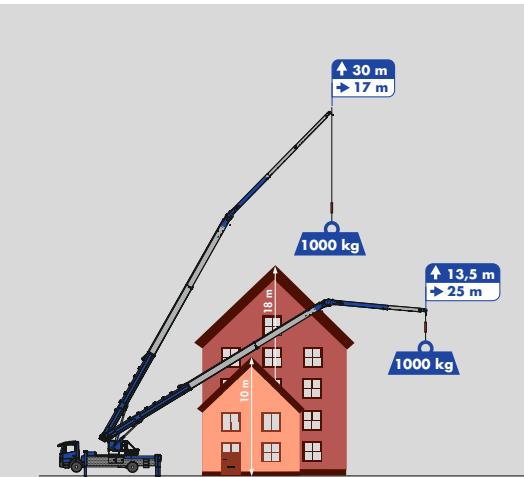
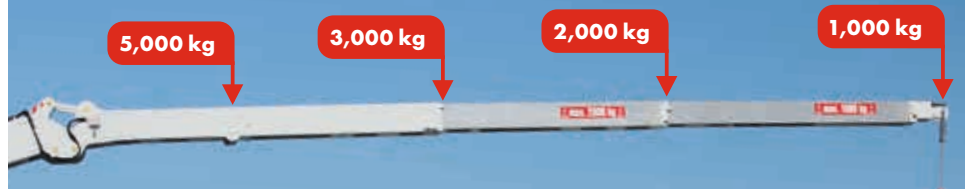


# K850



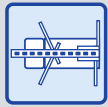
Hook height 36.9 m / Boom length 37.6 m  
Max. capacity 5,000 kg  
31 m Working range with 500 kg



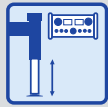
**Equipment**



Klaas Boom system



V-Outriggers



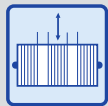
Automatic levelling



Twin luffing cylinders



Double derricking cylinders



Telescopic winch



Continuously rotation



Crane control system



Radio remote control



Drive concept



Full panelling



Hybrid drive (opt.)



Working platform (opt.)



Accessory fix system (opt.)



Personal Safety Mode (opt.)



Mounting-/glass hook (opt.)

**Technical specifications**

Hook load (stand./opt.)	3.0/5.0 t
Hook height	36.90 m
Boom length	37.60 m
Outrigger width (min.)	3.10 m
Outrigger width (max.)	5.49 m
Winch capacity	3,000 kg
Boom (3.000 kg)	5.50 m
Extension 1 (2.000 kg)	8.60 m
Extension 2 (1.000 kg)	12.20 m
Truck * Total weight (min.)	≥ 13.49 t

\* depending on truck type

**Working range**

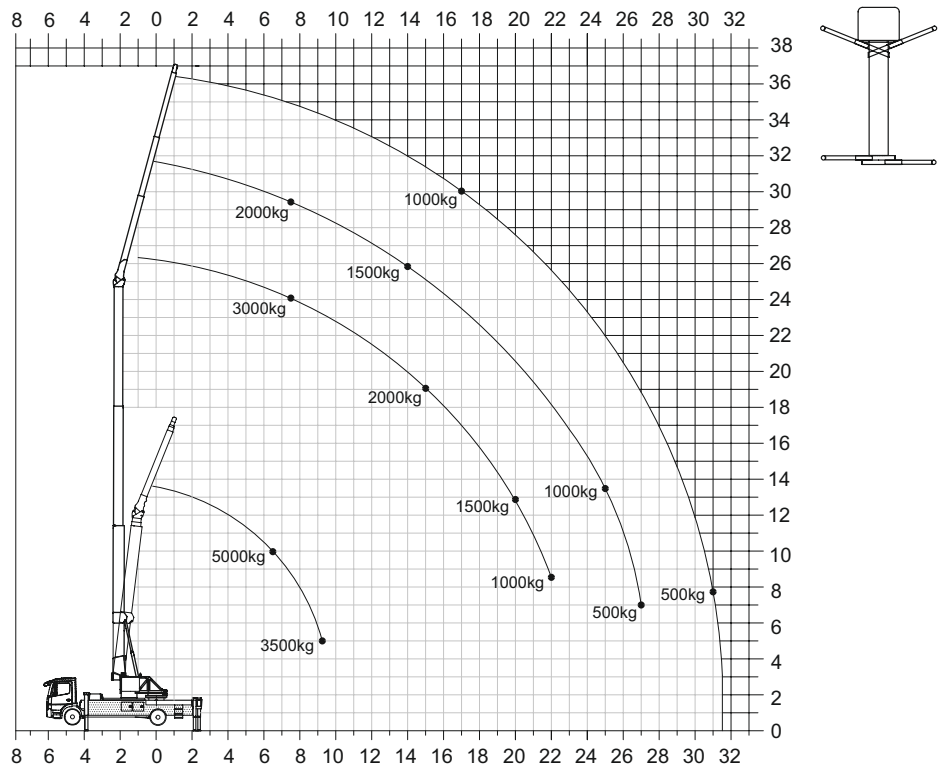
Load	Working range	Height
3,000 kg	7.50 m	24.00 m
2,000 kg	15.00 m	19.00 m
1,000 kg	25.00 m	13.50 m
500 kg	31.00 m	7.50 m

**Working range 5 t Capacity\*\***

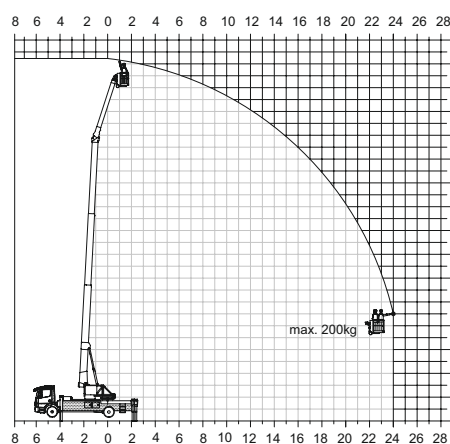
Load	Working range	Height
5,000 kg	6.50 m	10.00 m
3,500 kg	9.25 m	5.00 m

\*\*with 2-fall

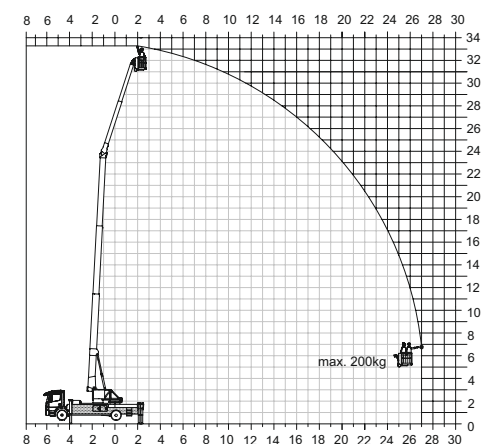
**Working range diagram\***



Platform operation\* (HA 2/200)



Platform operation with one extension\* (HA 2/200)



\*Working range vary, depending on truck type.



**Service- & Vertriebs GmbH**

Haselburger Damm 25 · D - 59387 Ascheberg

Tel.: +49 (0)2593 - 95 92 - 0

info@klaas.com